

12m Concert Stage - Data Sheet

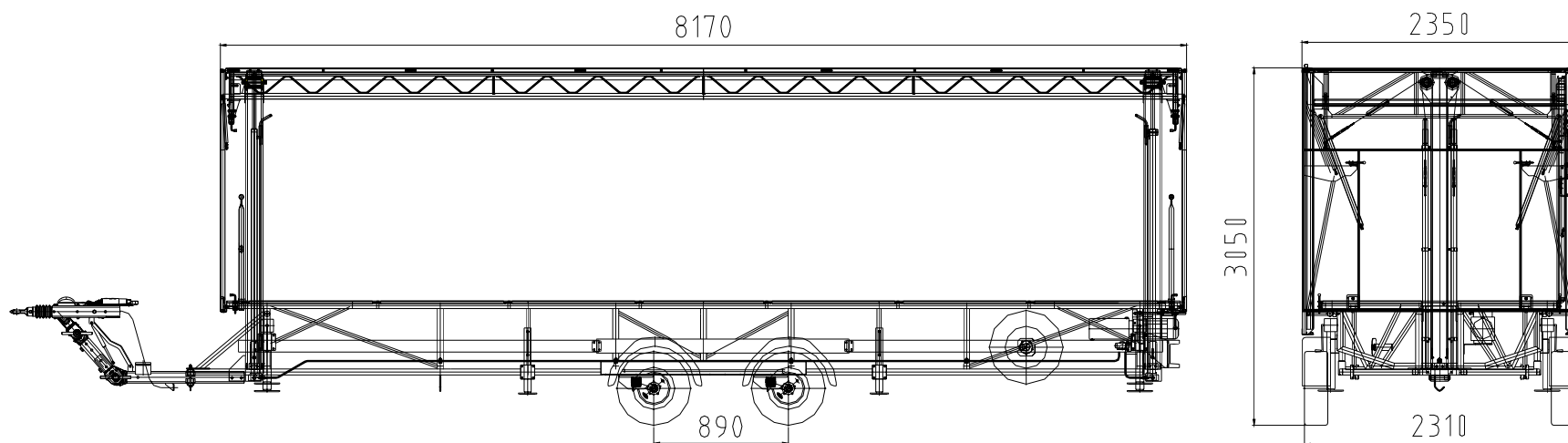
Dimension Stage:		
part	dimension	data
floor	width	7910 mm
	depth	5870 mm
	height	1000-1400 mm
roof	width	8170 mm
	depth	6815 mm
	height above ground	5057 mm
	clearance height	3739 mm
	truss tube diameter	50 mm

Capacities:		
part	dimension	data
floor	capacity	350 kg/m ²
	total capacity	8000 kg
	Capacity / support chassis 4x	4500 kg
	capacity / support floor flap	800 kg
	roof	uniformly distributed load UDL/truss
	centre point load CPL/truss	160 kg
	total capacity	1280 kg
walls	windresistance with mesh	as DIN 4112 (8 Beaufort)
stair	capacity	750 kg/m ²

Data Vehicle:			
part	dimesion	data	
vehilce	length max.	10450 mm	
	width	2350 mm	
	height	3050 mm	
	wheel base	1540-890 mm	
	track	2110 mm	
	overhang	3379 mm	
	own weight	3420 kg	
	cargo	80 kg	
	total weight	3500 kg	
		capacity axle 1	1800 kg
		capacity axle 2	1800 kg
	draw bar	capacity max.	3500 kg
		capacity DIN eye	150 kg
	capacity ball head coupler	150 kg	
	height adjustment	-130 bis +575mm	
jockey wheel	capacity	500 kg	

Data PA-Wings:		
	Front truss center point load	200 kg
	Aluminium pipe truss	50 kg
	width	2000 mm
	depth	1500 mm

12m Concert Stage - Data Sheet



12m Concert Stage - Data Sheet

